

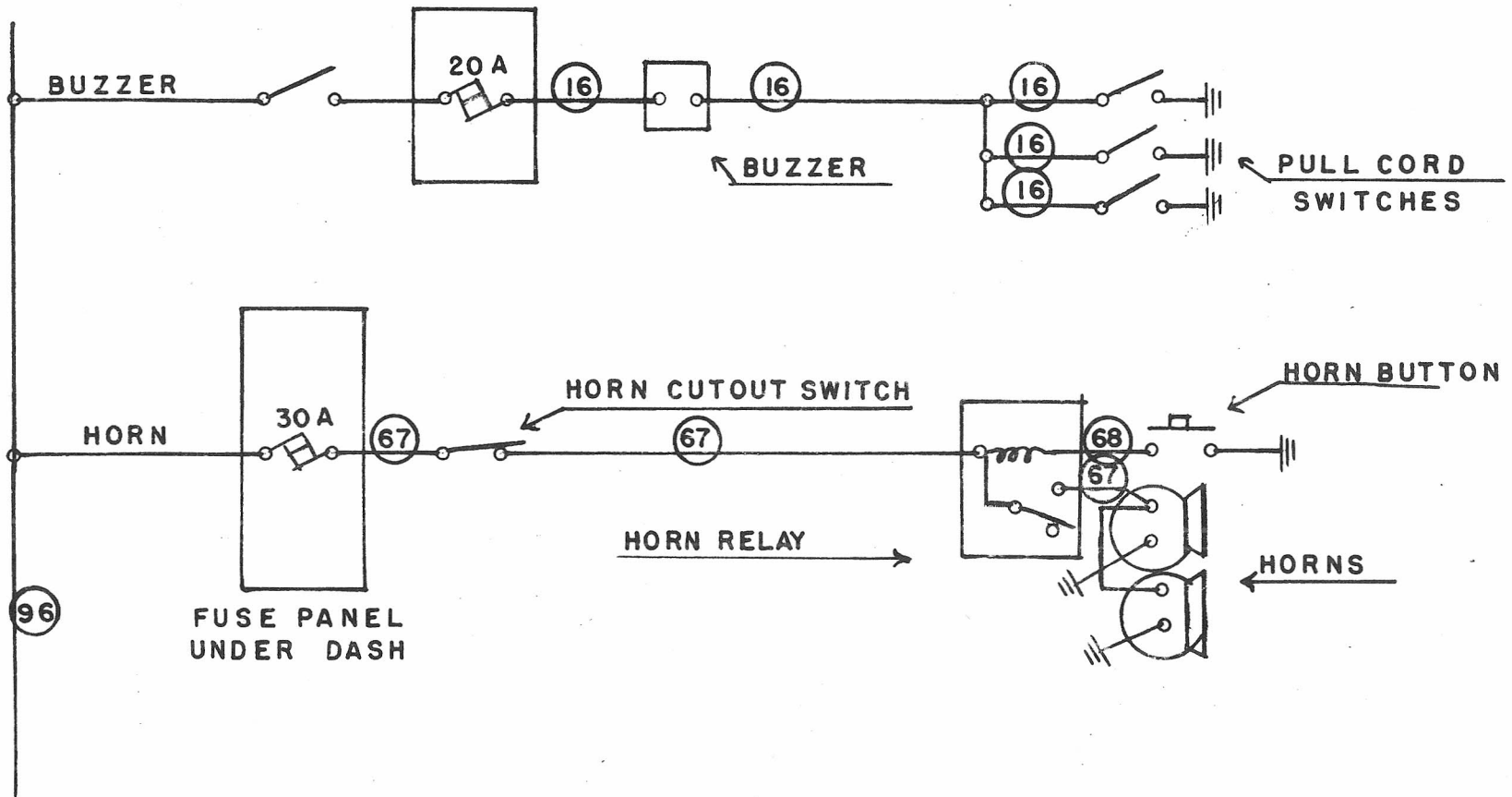
# WIRING DIAGRAMS



**BUSES 8400-8498**

### ALPHABETICAL INDEX

| <u>PAGE</u> | <u>NAME</u>            | <u>DRAWING NUMBER</u> |
|-------------|------------------------|-----------------------|
| 1           | BUZZER & HORN CIRCUIT  | SK-E-120259           |
| 2           | CHARGING CIRCUIT       | SK-E-120359           |
| 3           | DOOR CONTROL CIRCUIT   | SK-E-120359-F         |
| 4           | HEAT & VENT CIRCUITS   | SK-E-120359-D         |
| 1           | HORN & BUZZER CIRCUITS | SK-E-120259           |
| 5           | IGNITION CIRCUIT       | SK-E-120359-A         |
| 10          | LAMP DATA              | SK-E-120359-G         |
| 6           | LIGHT CIRCUITS         | SK-E-120359-C         |
| 8           | SHIFT CIRCUIT          | SK-E-110863           |
| 9           | STARTING CIRCUIT       | SK-E-120359-B         |
| 7           | THROTTLE DIP CIRCUIT   | SK-E-120359-E         |
| 4           | VENT & HEAT CIRCUITS   | SK-E-120359-D         |

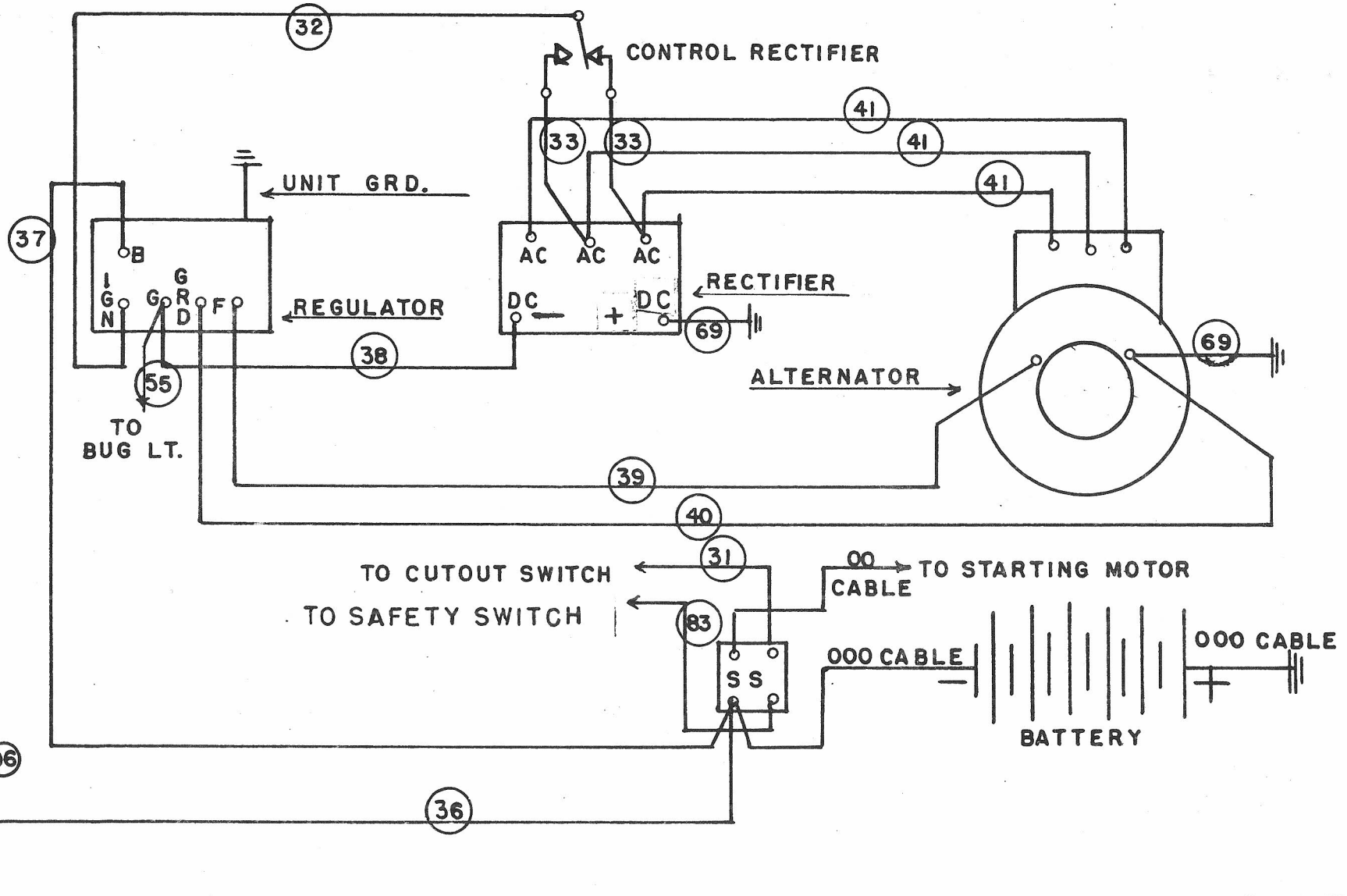


**BUZZER & HORN CIRCUITS**

**8400-8499**

CHICAGO TRANSIT AUTHORITY  
 GENERAL SUPERINTENDENT OF ENGINEERING  
 EQUIPMENT ENGINEER'S OFFICE

**SK-E-120259**

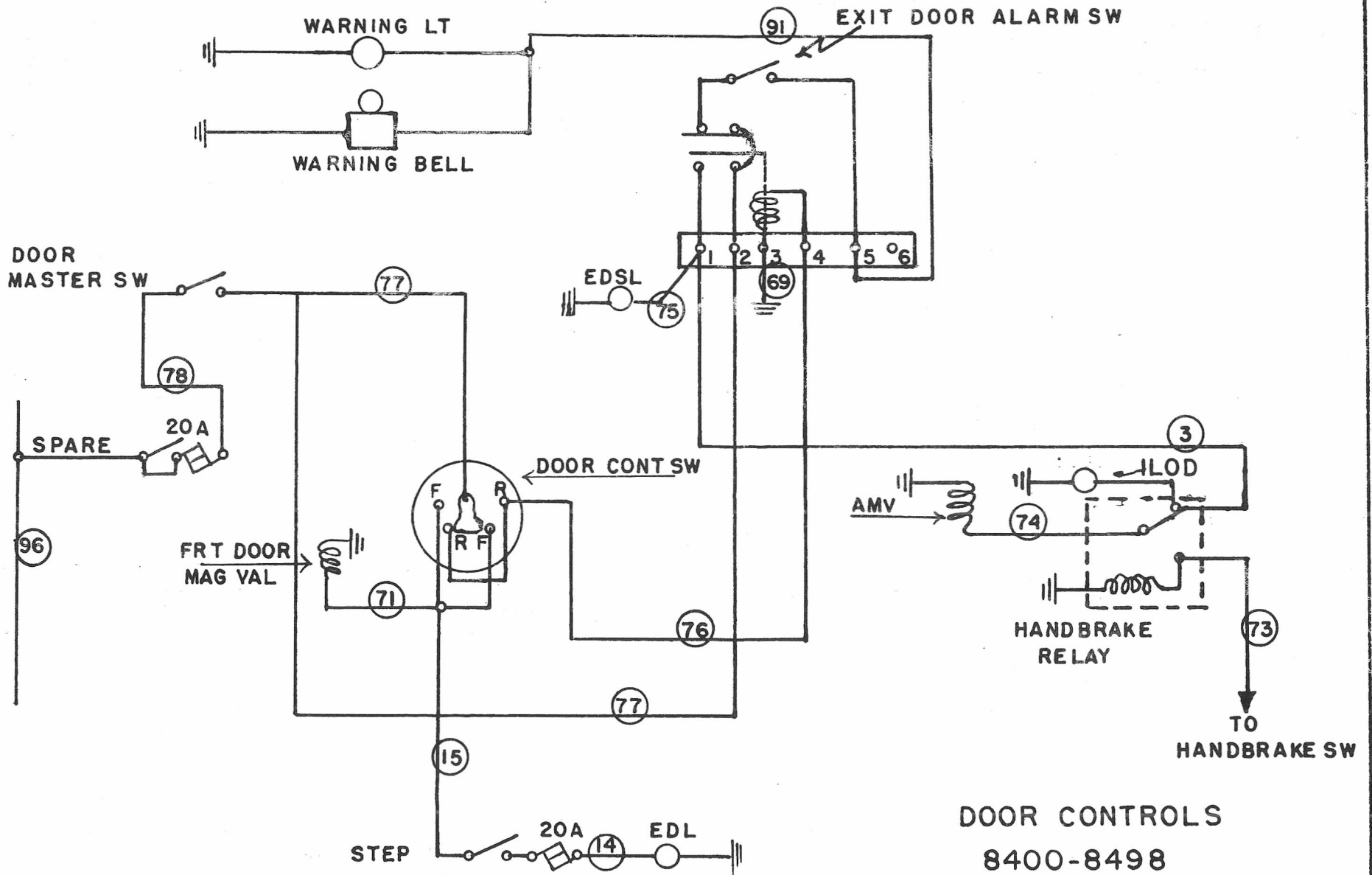


### CHARGING CIRCUIT

8400-8498

CHICAGO TRANSIT AUTHORITY  
 GENERAL SUPERINTENDENT OF ENGINEERING  
 EQUIPMENT ENGINEER'S OFFICE

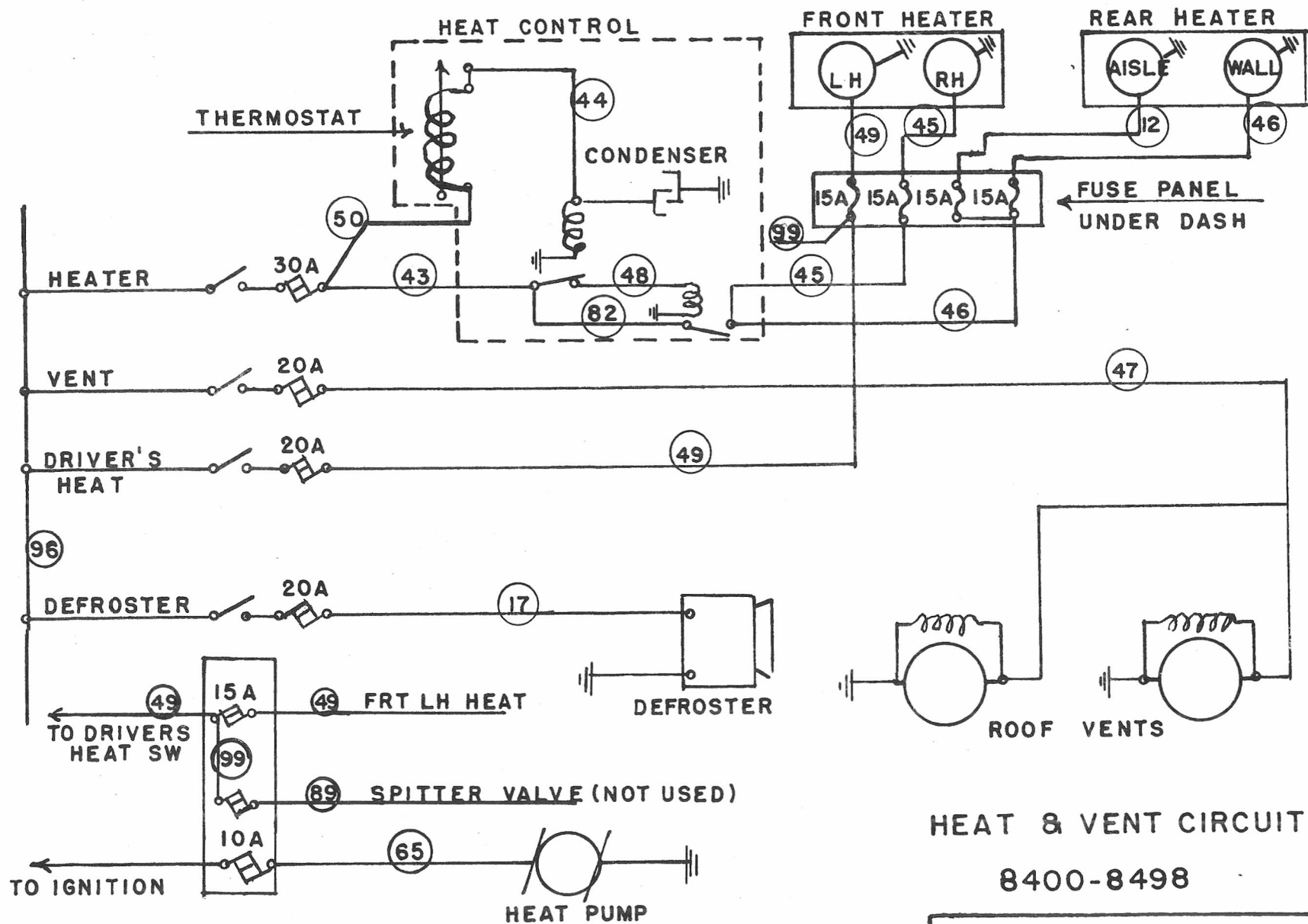
SK-E-120359



**DOOR CONTROLS**  
8400-8498

AMV ACCELERATOR MAGNET VALVE  
EDSL EXIT DOOR SIGNAL LITE  
ILOD INDICATOR LITE ON DASH

CHICAGO TRANSIT AUTHORITY  
GENERAL SUPERINTENDENT OF ENGINEERING  
EQUIPMENT ENGINEER'S OFFICE  
SK-E-120359-F

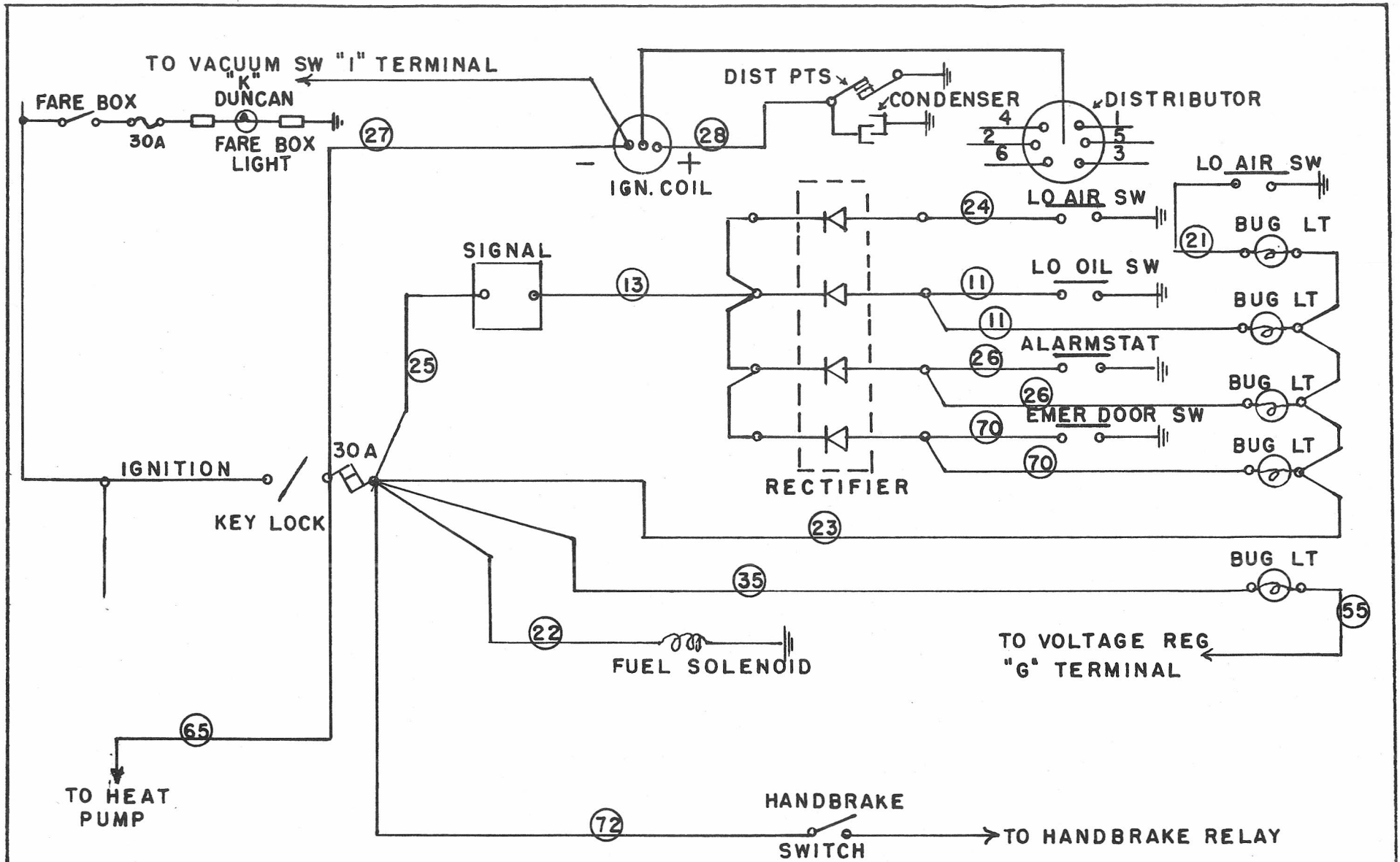


### HEAT & VENT CIRCUIT

8400-8498

CHICAGO TRANSIT AUTHORITY  
 GENERAL SUPERINTENDENT OF ENGINEERING  
 EQUIPMENT ENGINEER'S OFFICE

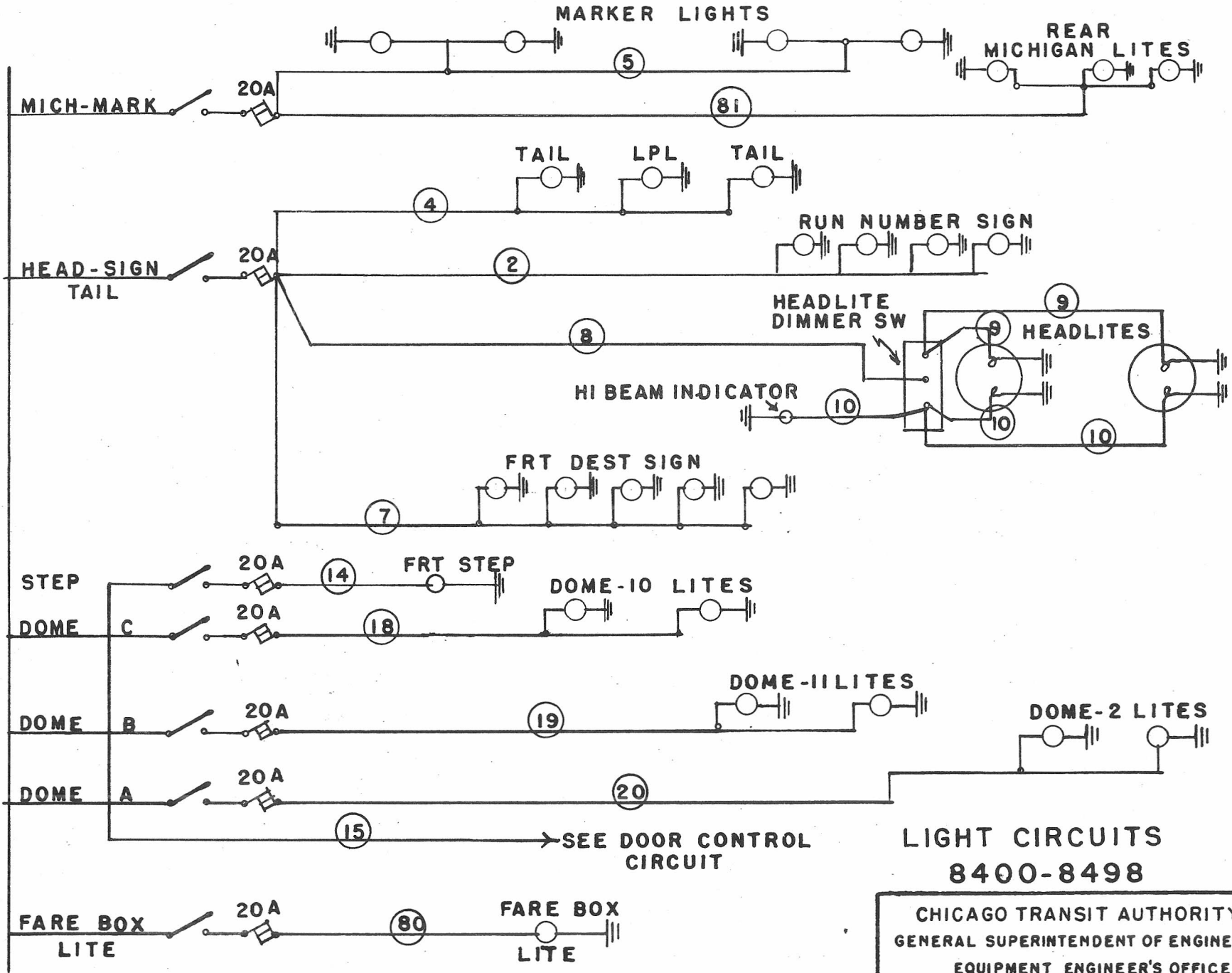
SK-E-120359-D



IGNITION CIRCUIT  
8400-8498

CHICAGO TRANSIT AUTHORITY  
GENERAL SUPERINTENDENT OF ENGINEERING  
EQUIPMENT ENGINEER'S OFFICE  
SK-E-120359-A

REVISION "A" 2-24-71  
"K" & DUNCAN FARE BOX LIGHT  
CIRCUIT ADDED.



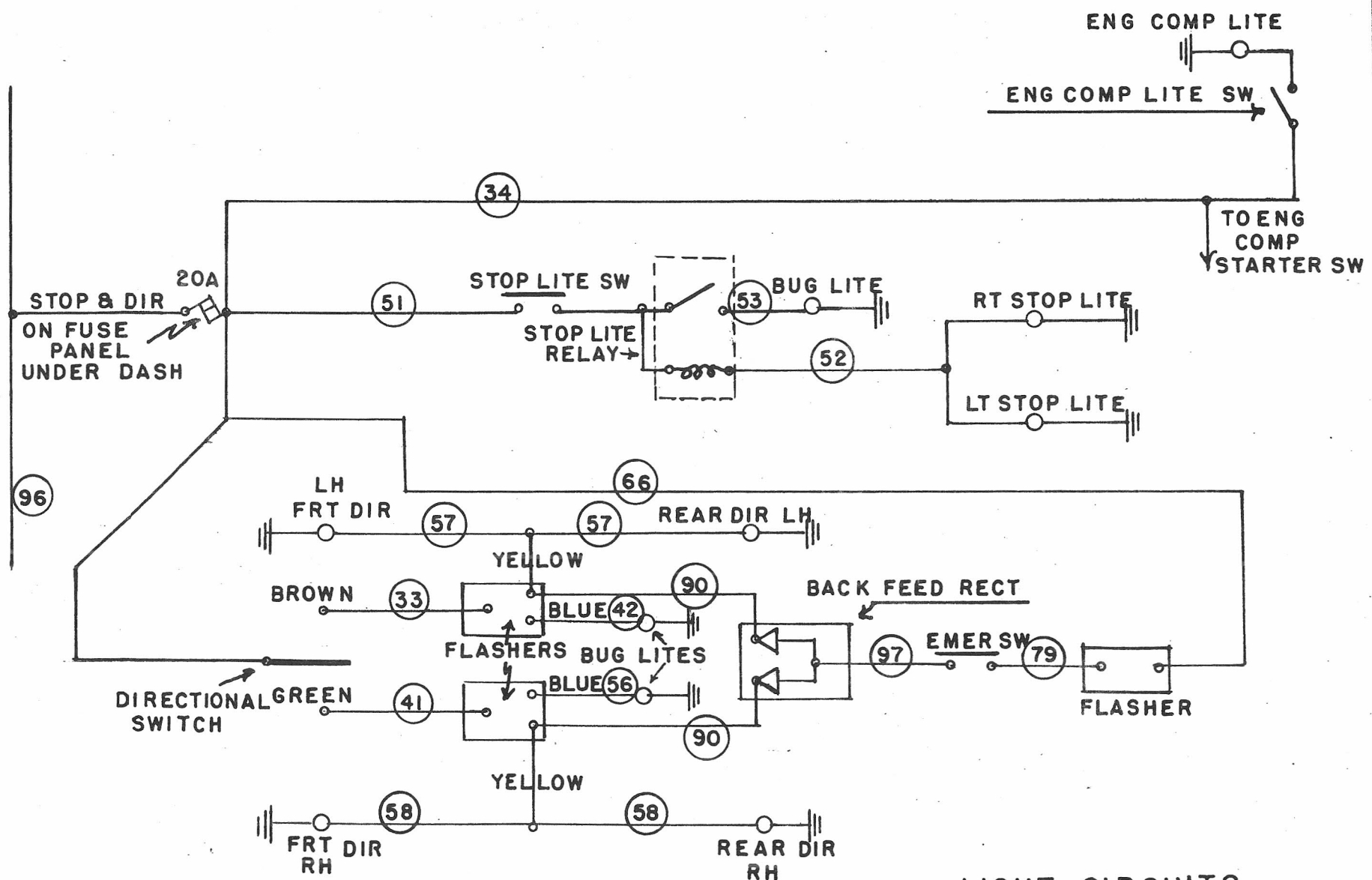
**LIGHT CIRCUITS  
8400-8498**

CHICAGO TRANSIT AUTHORITY  
GENERAL SUPERINTENDENT OF ENGINEERING  
EQUIPMENT ENGINEER'S OFFICE

**SK-E-120359-C**

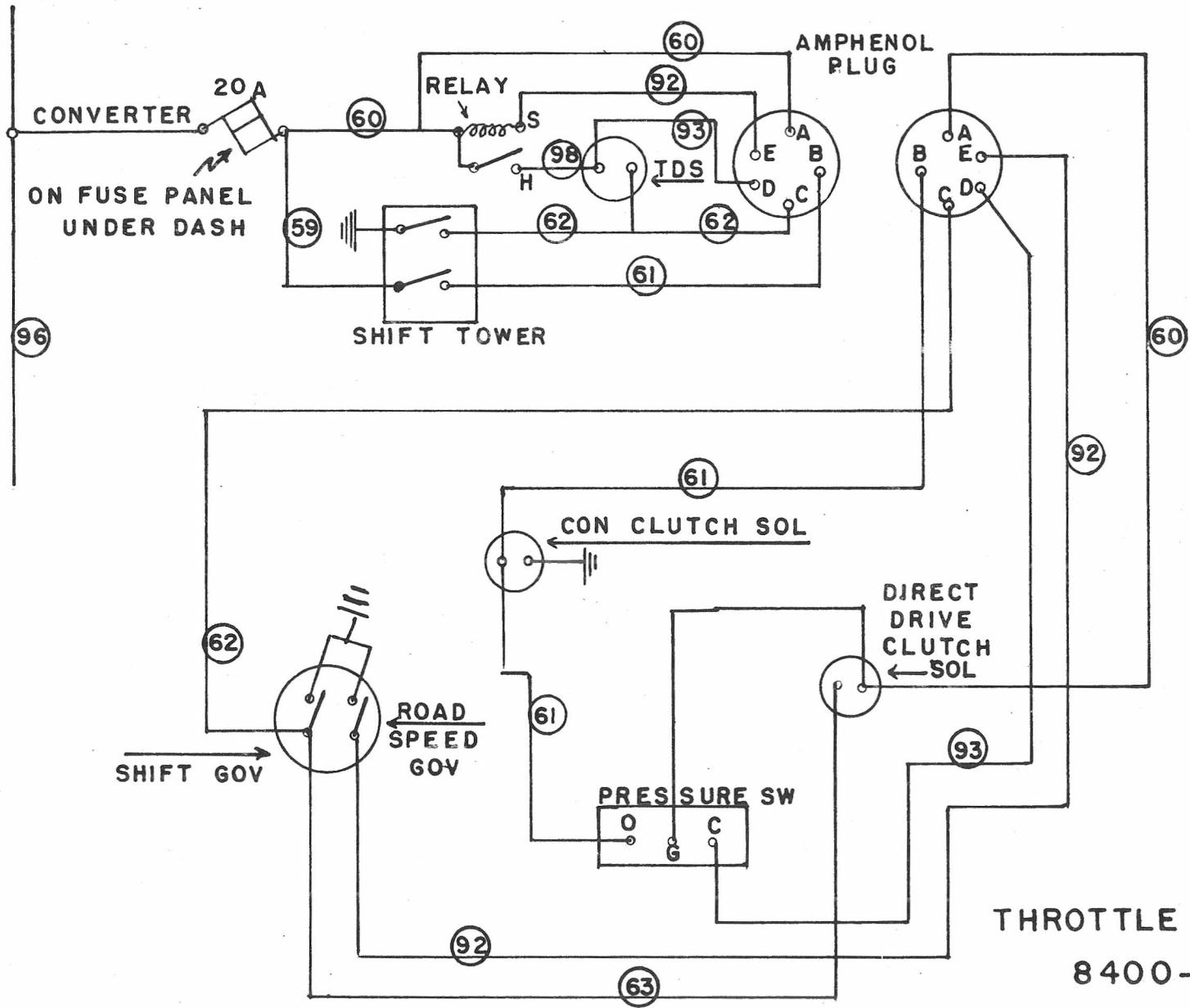
**NOTE: SEE PAGE "6A" FOR REST OF LIGHT CIRCUITS**





**LIGHT CIRCUITS**  
8400-8498

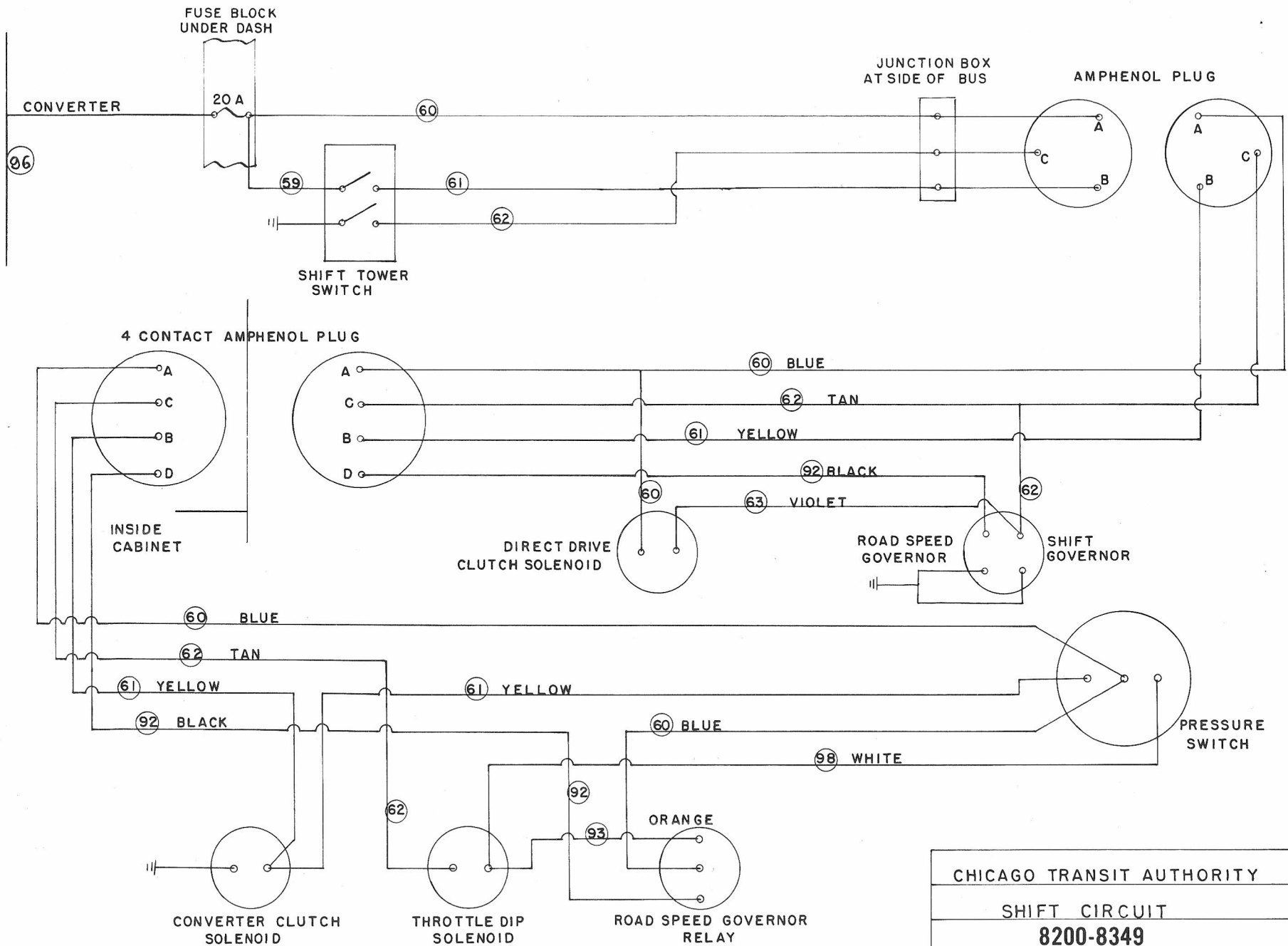
CHICAGO TRANSIT AUTHORITY  
GENERAL SUPERINTENDENT OF ENGINEERING  
EQUIPMENT ENGINEER'S OFFICE  
SK-E-120359-C-6A



**THROTTLE DIP CIRCUIT**  
**8400-8498**

CHICAGO TRANSIT AUTHORITY  
 GENERAL SUPERINTENDENT OF ENGINEERING  
 EQUIPMENT ENGINEER'S OFFICE  
**SK-E-120359-E**

TDS THROTTLE DIP SOLENOID



REVISED 11-8-63

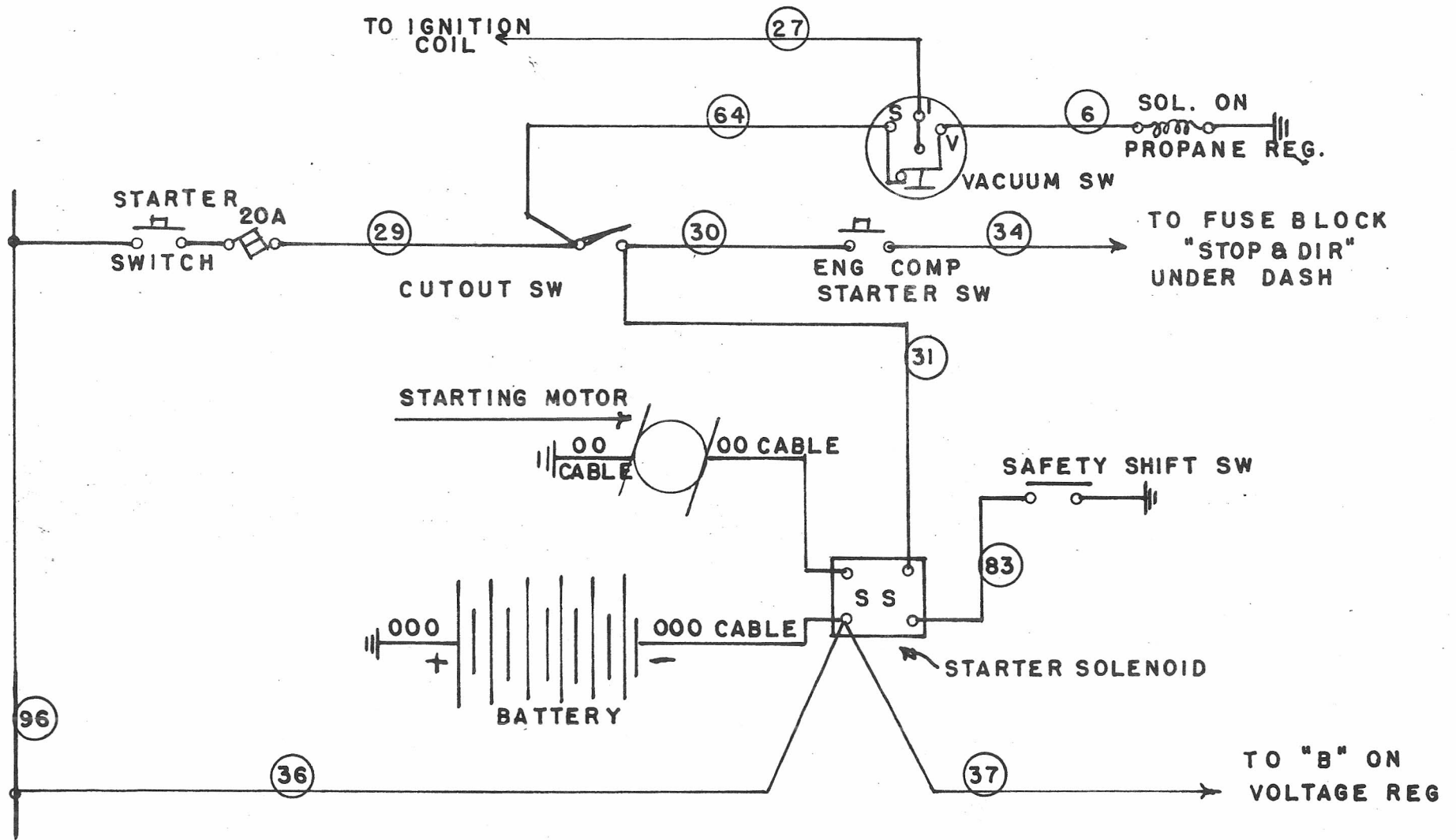
RETAIN PAGE 7 (THROTTLE DIP CIRCUIT-SK-E-82558-G)  
UNTIL CAMPAIGN C-17-019 IS COMPLETED.

REVISED 12-5-63

REVISED 11-8-63

REVISED 9-17-63

|                                       |
|---------------------------------------|
| CHICAGO TRANSIT AUTHORITY             |
| SHIFT CIRCUIT                         |
| <b>8200-8349</b>                      |
| GENERAL SUPERINTENDENT OF ENGINEERING |
| OFFICE OF ENGINEER OF EQUIPMENT       |
| SK-E-82558-H                          |



STARTING CIRCUIT  
8400-8498

CHICAGO TRANSIT AUTHORITY  
GENERAL SUPERINTENDENT OF ENGINEERING  
EQUIPMENT ENGINEER'S OFFICE  
SK-E-120359-B

| LAMP DATA              |          |
|------------------------|----------|
| LOCATION               | LAMP NO. |
| DESTINATION SIGN       | 94       |
| DIRECTIONAL SIGNAL     | 1141     |
| DOMELIGHTS             | 93L      |
| ENGINE COMP LT         | 89       |
| EXIT DOOR SIGNAL       | 89       |
| FARE BOX               | 94IF     |
| FRONT STEP             | 94IF     |
| INDICATOR LIGHTS       | 57       |
| HEADLIGHTS             | 4430     |
| LICENSE PLATE          | 89       |
| MARKER-FRONT           | 68       |
| MARKER-REAR            | 67       |
| MICHIGAN MARKER        | 67       |
| RUN NUMBER SIGN        | 68       |
| STOPLIGHT              | 1016     |
| TAIL LIGHT             | 1016     |
| WARNING LITE-EXIT DOOR | 67       |

**8400 - 8498**

CHICAGO TRANSIT AUTHORITY  
GENERAL SUPERINTENDENT OF ENGINEERING  
EQUIPMENT ENGINEER'S OFFICE

**SK-E-120359-G**

